



Grandezza originale  
Actual size  
Originalgröße  
Grandeur originale  
Tamaño natural

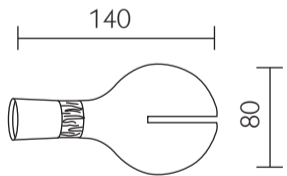


18A= Nero base - Ciliegio  
Basic black - Cherry  
Grundscharz - Kirschbaum  
Noir base - Merisier  
Negro base - Cerezo

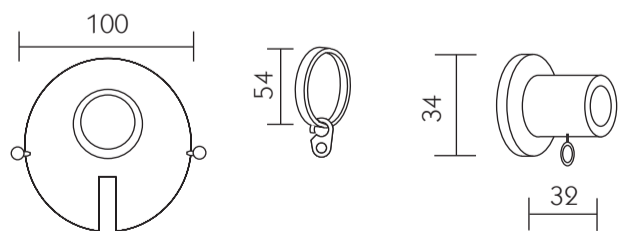


89R= Alluminio - Zebrano  
Aluminium - Zebrano  
Aluminium - Zebrano  
Aluminium - Zebrano  
Aluminio - Zebrano

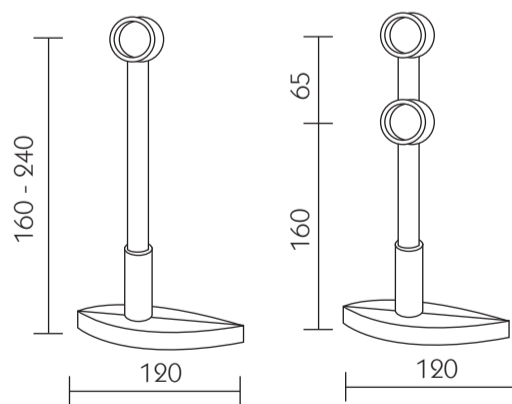
Terminali - Finials - Endstücke  
Embouts - Terminales



Accessori - Accessories - Zubehör  
Accessoires - Accesorios



Supporti - Brackets - Träger  
Supports - Soportes



A = Ciliegio - Cherry - Kirschbaum - Merisier - Cerezo  
W = Wengé  
T = Teak  
R = Zebrano

